

Stainless Steel Structure System DB



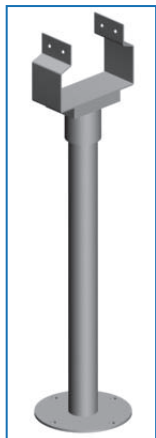
AP
TR
MS2
ML2
MM3
MX2
MT2
MR2
MG
MF2
MA
MB
MS
DL2
DM3
DS2
DX2
DT2
DR2
DG
DF2
DB
DA
SD
SE
TL
IM
MM

Please consult MODU representative for further information and assistance.

Units: Dimension (mm)

Stainless Steel Structural System DB

DB 1

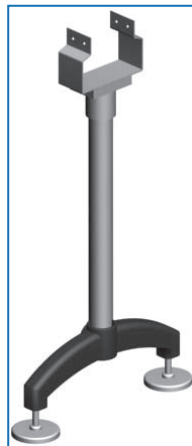


Unipod

- Material:
- Foot plate in stainless steel AISI 303.
 - Beam support bracket in stainless steel AISI 303.
 - Ornamental pipe in stainless steel AISI 303.

Supply:
- Items are supplied individually.

DB 2

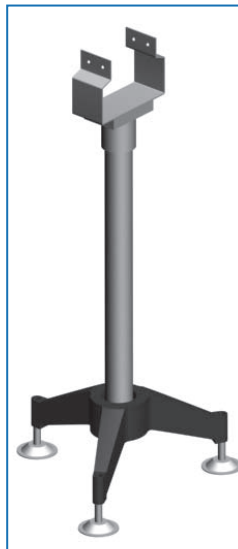


Bipod

- Material:
- Foot cap in stainless steel AISI 303.
 - Two-point foot in Polyamide, glass fibre reinforced, PA 6 GF30%.
 - Beam support bracket in stainless steel AISI 303.
 - Ornamental pipe in stainless steel AISI 303.

Supply:
- Items are supplied individually.

DB 3



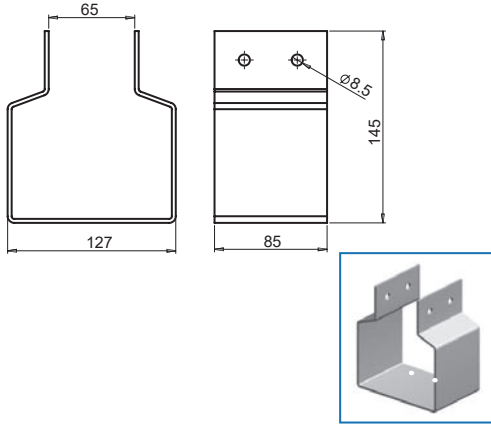
Tripod

- Material:
- Foot cap in stainless steel AISI 303.
 - Three-point foot in Polyamide, glass fibre reinforced, PA 6 GF30%.
 - Beam support bracket in stainless steel AISI 303.
 - Ornamental pipe in stainless steel AISI 303.

Supply:
- Items are supplied individually.

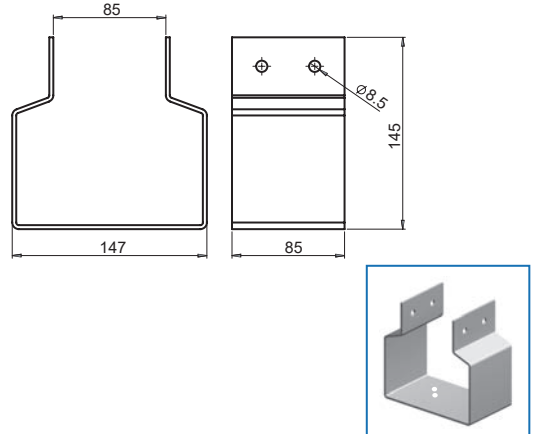
Bracket DB

DS Beam Support Bracket



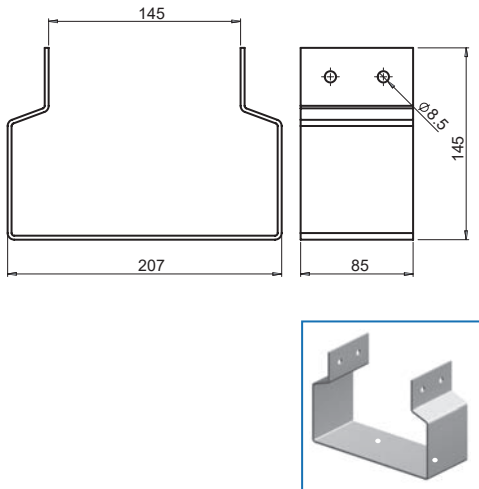
Item Code	Weight	Supply
DS2 BS 100	0.9 kg	1 pc

DM Beam Support Bracket



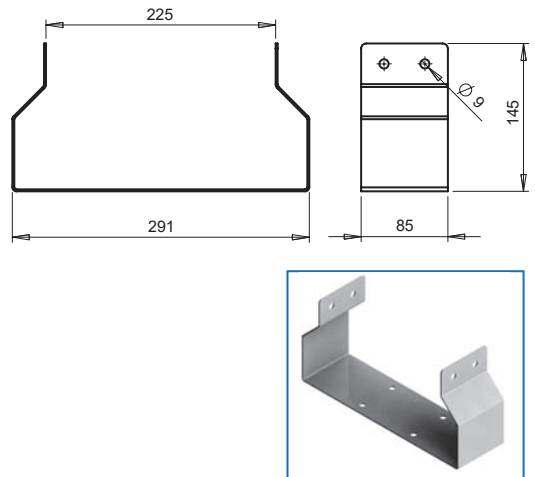
Item Code	Weight	Supply
DM3 BS 100	0.9 kg	1 pc

DL Beam Support Bracket



Item Code	Weight	Supply
DL2 BS 100	1.1 kg	1 pc

DX Beam Support Bracket



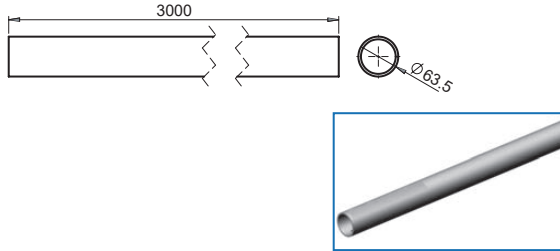
Item Code	Weight	Supply
DX2 BS 100	1.4 kg	1 pc

Please consult MODU representative for further information and assistance.

Units: Dimension (mm)

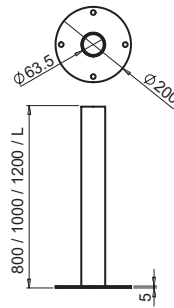
Stainless Steel Structural System DB

Ornamental Pipe

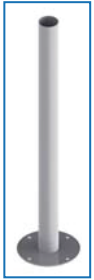


Item Code	Weight	Supply
DB BT 3	16.6 kg	3 m
DB BT #		Variable Length

Foot Base



- Please specify total length (L).
- Standard length of supply:
 - 800mm
 - 1000mm
 - 1200mm



Item Code	Supply
DB FF L	1 pc

Polyamide Foot, 2-point



Bore Diameter: 63.5mm

Item Code	Weight	Supply
DB FB	2.4 kg	1 pc

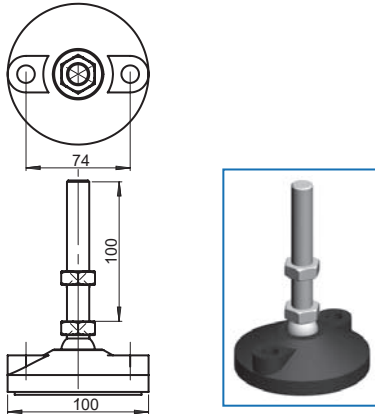
Polyamide Foot, 3-point



Bore Diameter: 63.5mm

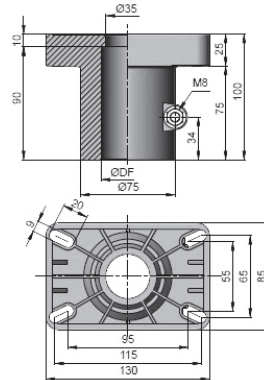
Item Code	Weight	Supply
DB FT	3.6 kg	1 pc

Adjusting Foot Cap, M16



Item Code	Weight	Supply
MB FP 16x100S Stainless Steel	0.4 kg	1 pc
MB FP 16x150S Stainless Steel	0.4 kg	1 pc

Support Head



Item Code	Weight	Supply
DB HS	0.3 kg	1 pc

Please consult MODU representative for further information and assistance.

Units: Dimension (mm)